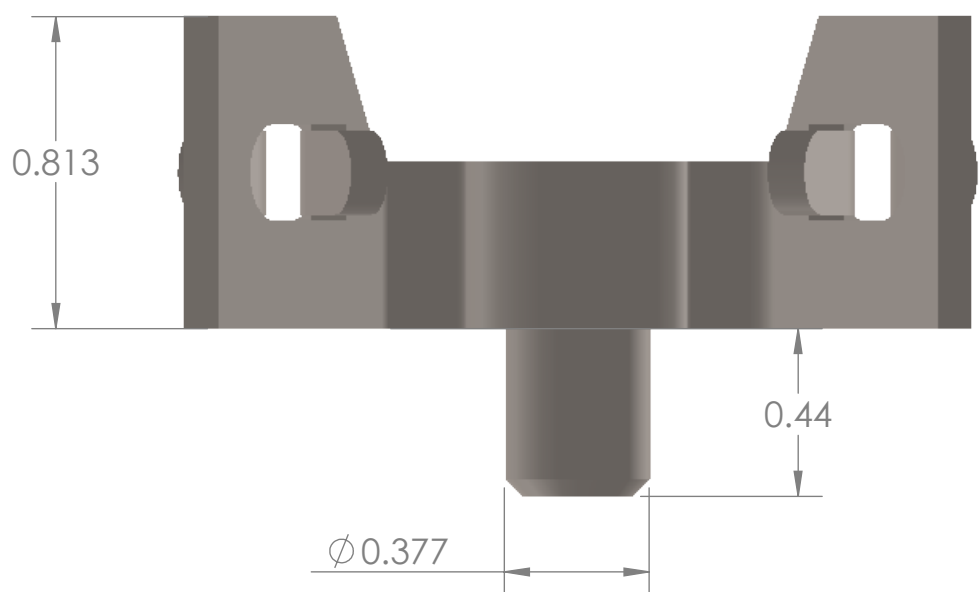
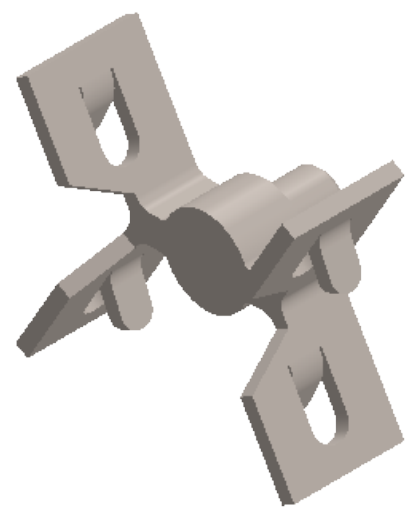
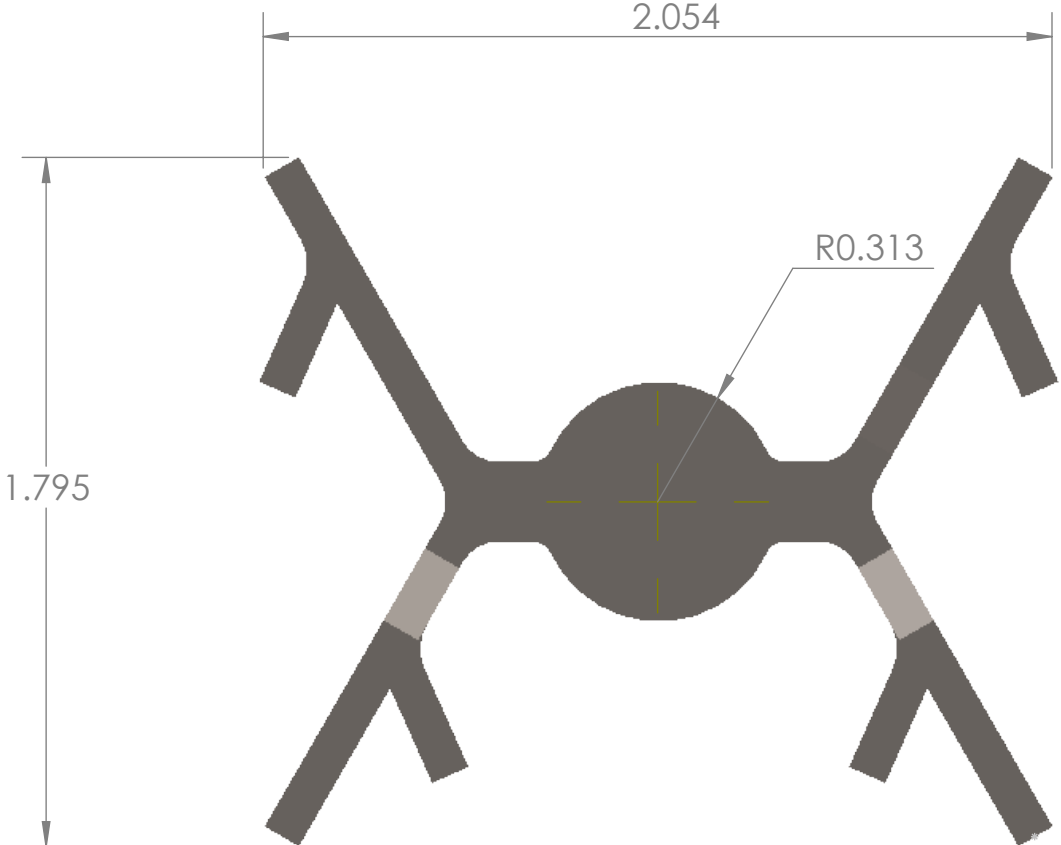


4


3

2

1



PROPRIETARY AND CONFIDENTIAL
 THE INFORMATION CONTAINED IN THIS DRAWING IS THE SOLE PROPERTY OF MALCO. ANY REPRODUCTION IN PART OR AS A WHOLE WITHOUT THE WRITTEN PERMISSION OF MALCO IS PROHIBITED.

		UNLESS OTHERWISE SPECIFIED:		NAME	DATE				
		DIMENSIONS ARE IN INCHES		DRAWN	MW	3/17/26	TITLE:		
		TOLERANCES:		CHECKED					
		FRACTIONAL ±		ENG APPR.					
		ANGULAR: MACH ± BEND ±		MFG APPR.			SIZE	DWG. NO.	REV
		TWO PLACE DECIMAL ±		Q.A.			B	SpeedK 51	0
		THREE PLACE DECIMAL ±		COMMENTS:			SCALE: 2:1	WEIGHT:	SHEET 1 OF 1
		INTERPRET GEOMETRIC TOLERANCING PER:							
		MATERIAL							
		Steel							
		FINISH							
NEXT ASSY	USED ON								
APPLICATION		DO NOT SCALE DRAWING							

4

3

2

1

B

B

A

A

4

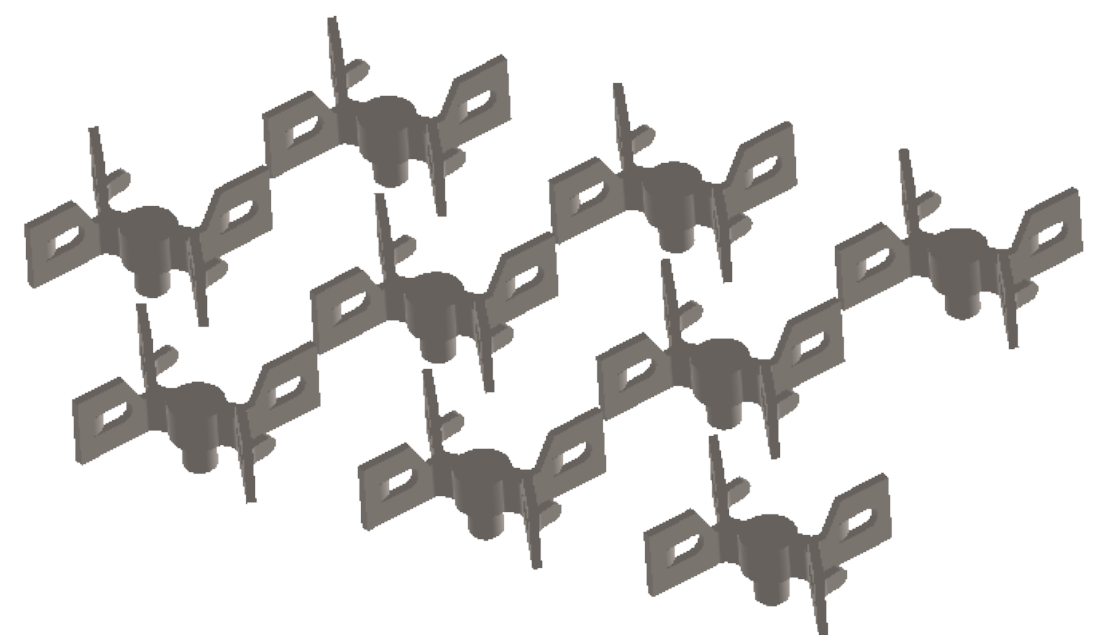
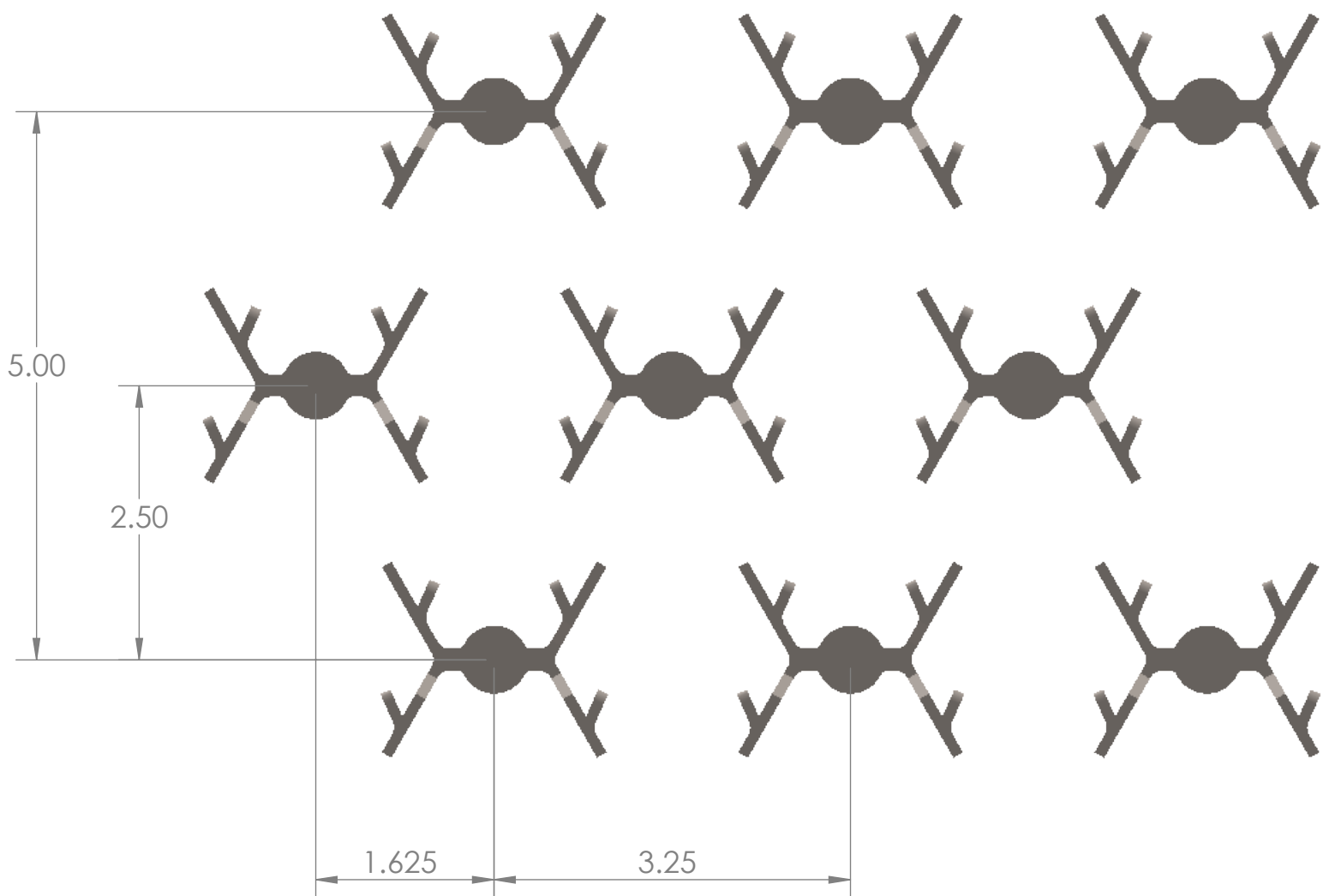
3

2

1

B

B




A

A

SPEED K 51 ASSEMBLY 10

PROPRIETARY AND CONFIDENTIAL
 THE INFORMATION CONTAINED IN THIS DRAWING IS THE SOLE PROPERTY OF MALCO. ANY REPRODUCTION IN PART OR AS A WHOLE WITHOUT THE WRITTEN PERMISSION OF MALCO IS PROHIBITED.

		UNLESS OTHERWISE SPECIFIED:		NAME	DATE
		DIMENSIONS ARE IN INCHES		DRAWN	MW 3/16/26
		TOLERANCES:		CHECKED	
		FRACTIONAL ±		ENG APPR.	
		ANGULAR: MACH ± BEND ±		MFG APPR.	
		TWO PLACE DECIMAL ±		Q.A.	
		THREE PLACE DECIMAL ±		COMMENTS:	
		INTERPRET GEOMETRIC TOLERANCING PER:			
		MATERIAL			
		Steel			
		FINISH			
NEXT ASSY	USED ON				
APPLICATION		DO NOT SCALE DRAWING			
		TITLE:			
					
SIZE	DWG. NO.			REV	
B	Speed K 51 Assy 10			0	
SCALE: 1:1		WEIGHT:		SHEET 1 OF 1	

4

3

2

1