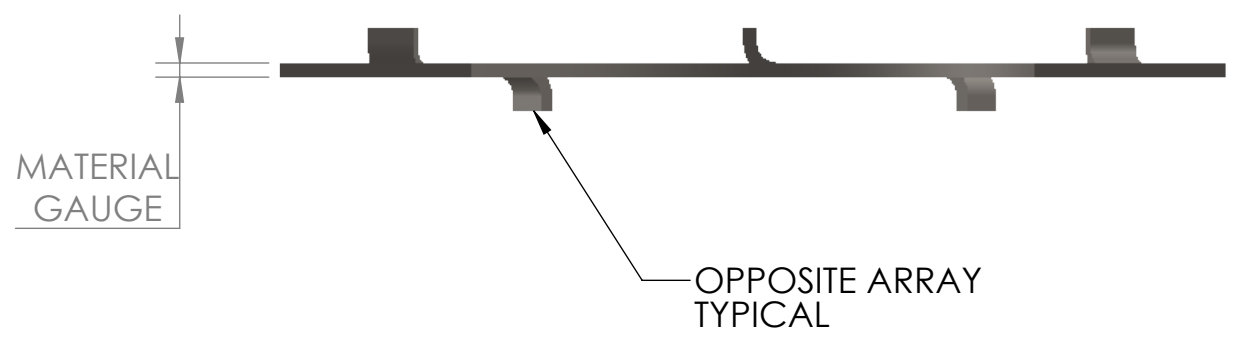
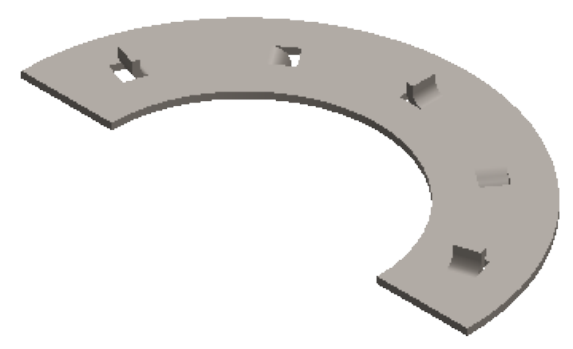
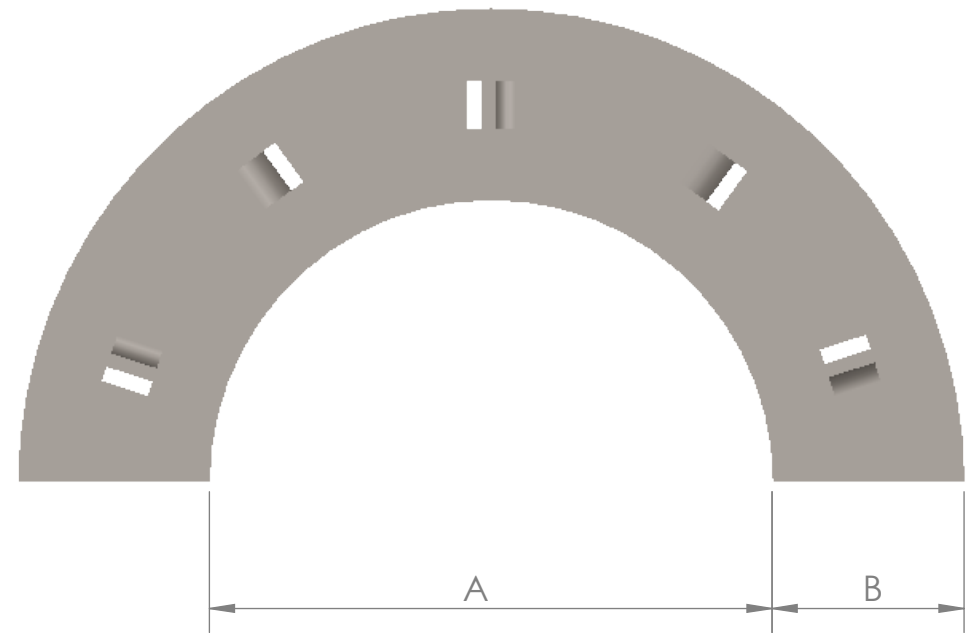


4

3


2

1



NO.	MATERIAL TYPE	MATERIAL GAGE	A	B
-1	PER CUSTOMER SPECIFICATION	14	2.0	1.0
-2	PER CUSTOMER SPECIFICATION	14	2.43	1.0
-3	PER CUSTOMER SPECIFICATION	14	2.93	1.0
-4	PER CUSTOMER SPECIFICATION	14	4.56	1.0
-5	PER CUSTOMER SPECIFICATION	14	6.68	1.0
-6	PER CUSTOMER SPECIFICATION	14	3.562	1.0

**PROPRIETARY AND CONFIDENTIAL**  
 THE INFORMATION CONTAINED IN THIS DRAWING IS THE SOLE PROPERTY OF MALCO. ANY REPRODUCTION IN PART OR AS A WHOLE WITHOUT THE WRITTEN PERMISSION OF MALCO IS PROHIBITED.

UNLESS OTHERWISE SPECIFIED:		NAME	DATE	TITLE:  SIZE <b>B</b> DWG. NO. <b>HX-200</b> REV <b>0</b> SCALE: 1:1 WEIGHT: SHEET 1 OF 1	
DIMENSIONS ARE IN INCHES		DRAWN	MW		1/8/26
TOLERANCES:		CHECKED			
FRACTIONAL ±		ENG APPR.			
ANGULAR: MACH ± BEND ±		MFG APPR.			
TWO PLACE DECIMAL ±		Q.A.			
THREE PLACE DECIMAL ±		COMMENTS:			
INTERPRET GEOMETRIC TOLERANCING PER:					
MATERIAL		SEE TABLE			
FINISH					
NEXT ASSY	USED ON				
APPLICATION		DO NOT SCALE DRAWING			

4

3

2

1