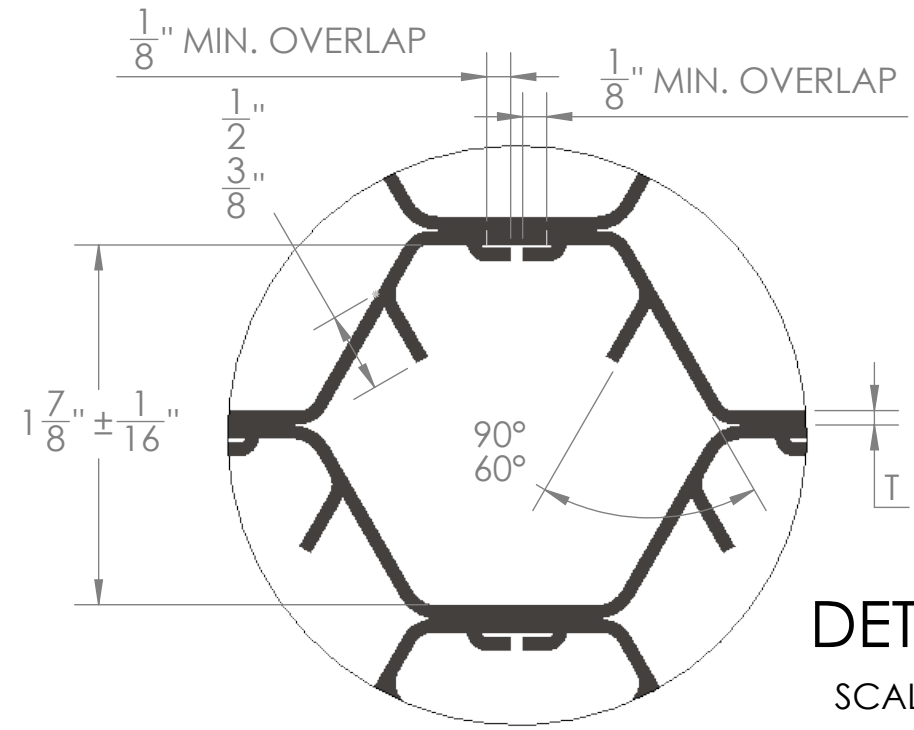


4

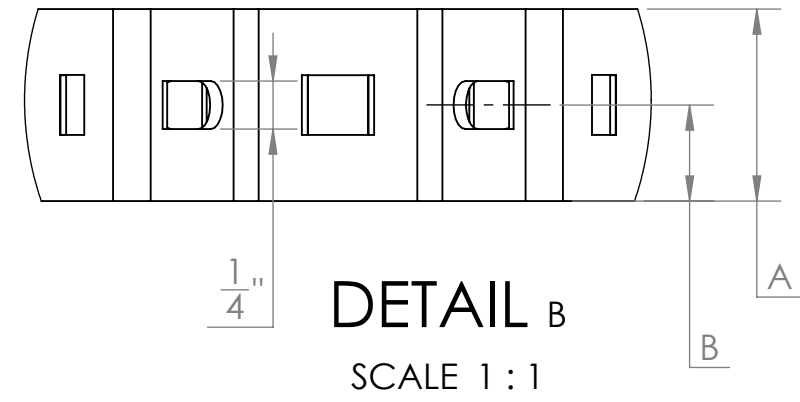
3

2

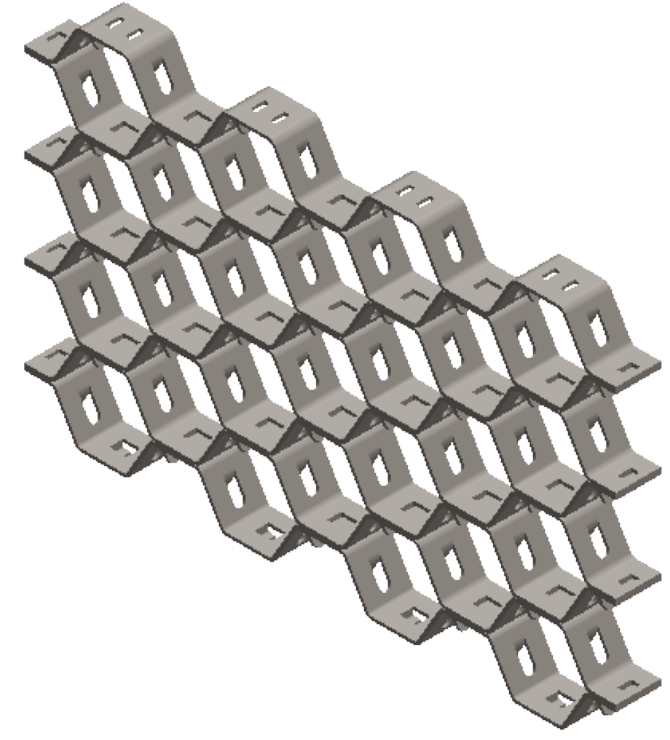
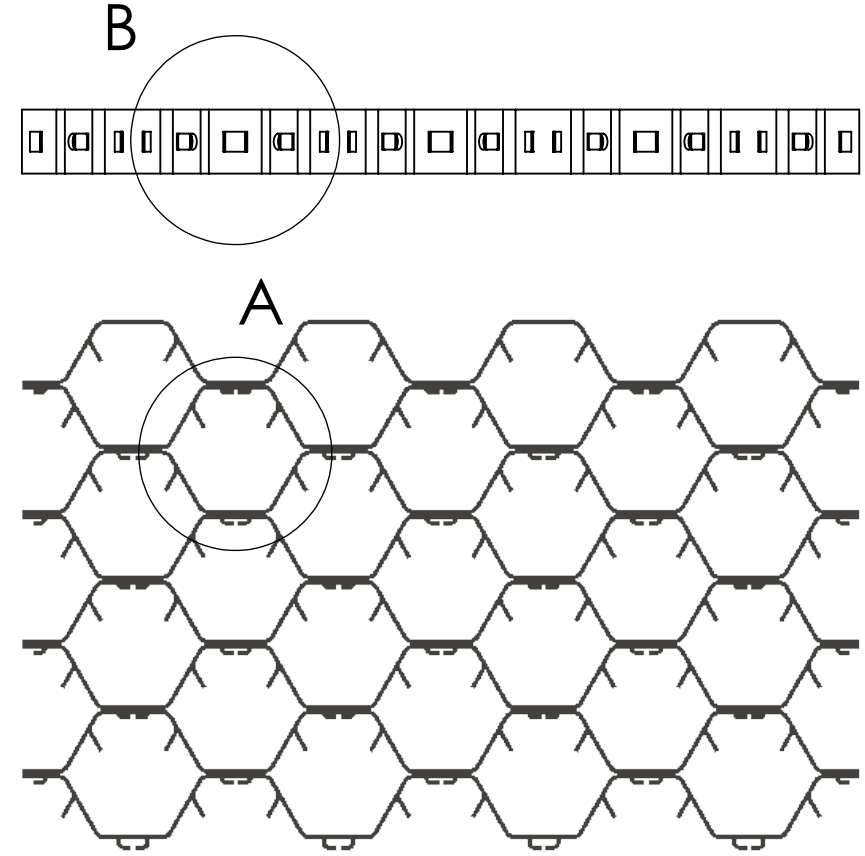
1



DETAIL A
SCALE 1 : 1



DETAIL B
SCALE 1 : 1



A	3/4", 1", 1 1/4", 1 1/2"
B	AS PER CUSTOMER SPECIFICATIONS
T	12 GA., 14 GA., 16 GA.
MAT.	AS PER CUSTOMER SPECIFICATIONS

PROPRIETARY AND CONFIDENTIAL
THE INFORMATION CONTAINED IN THIS DRAWING IS THE SOLE PROPERTY OF MALCO. ANY REPRODUCTION IN PART OR AS A WHOLE WITHOUT THE WRITTEN PERMISSION OF MALCO IS PROHIBITED.

		UNLESS OTHERWISE SPECIFIED:	NAME	DATE		
		DIMENSIONS ARE IN INCHES	DRAWN	MW	1/8/26	TITLE:
		TOLERANCES:	CHECKED			
		FRACTIONAL ±	ENG APPR.			
		ANGULAR: MACH ± BEND ±	MFG APPR.			
		TWO PLACE DECIMAL ±	Q.A.			SIZE B DWG. NO. HX-101 REV 0
		THREE PLACE DECIMAL ±	COMMENTS:			
		INTERPRET GEOMETRIC TOLERANCING PER:				SCALE: 1:2 WEIGHT: SHEET 1 OF 1
		MATERIAL See table				
NEXT ASSY	USED ON	FINISH				
APPLICATION		DO NOT SCALE DRAWING				



4

3

2

1

B

B

A

A