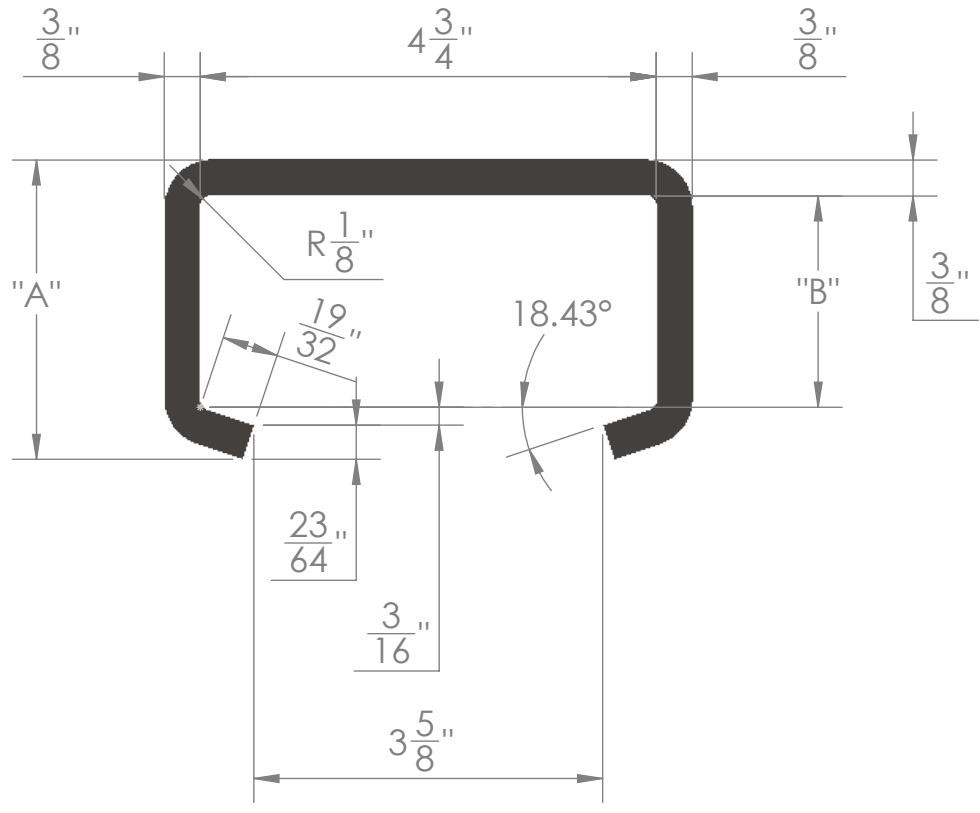
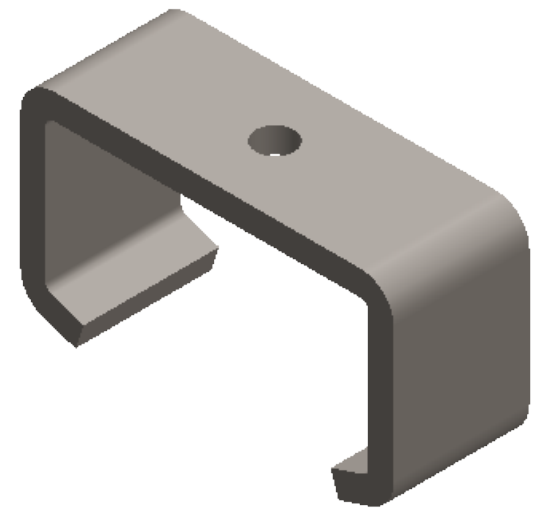
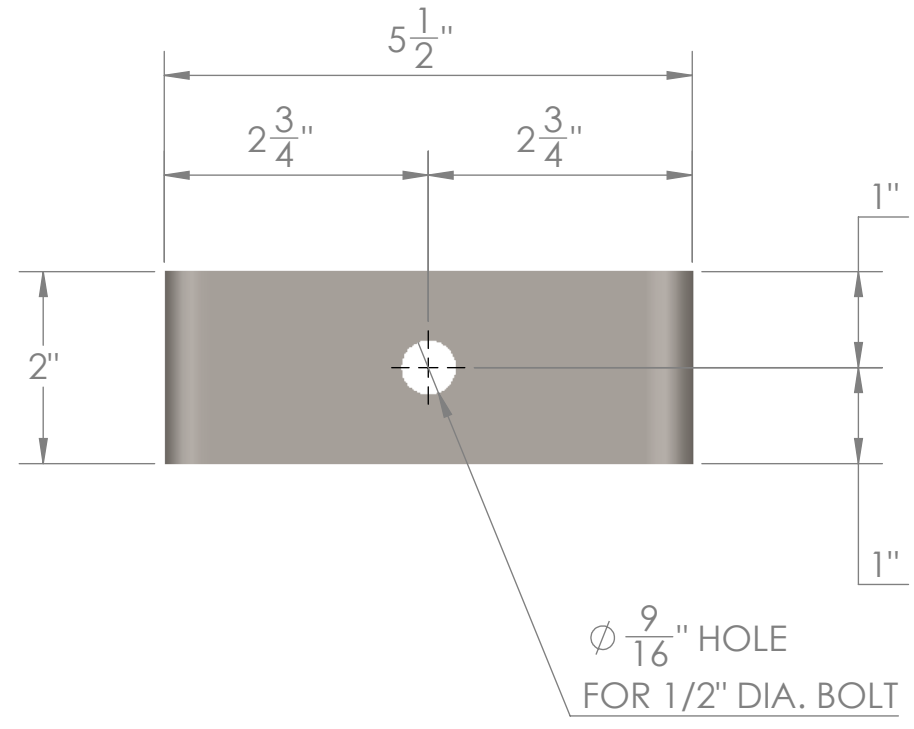


4

3

2

1



ANCHOR CLIP	"A"	"B"
CCH-0.5	2 5/8"	1 45/64"
CCH-1	3 1/8"	2 13/64"
CCH-1.5	3 5/8"	2 45/64"

**PROPRIETARY AND CONFIDENTIAL**  
 THE INFORMATION CONTAINED IN THIS DRAWING IS THE SOLE PROPERTY OF MALCO. ANY REPRODUCTION IN PART OR AS A WHOLE WITHOUT THE WRITTEN PERMISSION OF MALCO IS PROHIBITED.

		UNLESS OTHERWISE SPECIFIED:	NAME	DATE	TITLE:	
		DIMENSIONS ARE IN INCHES	DRAWN	MW		1/22/26
		TOLERANCES: FRACTIONAL ± ANGULAR: MACH ± BEND ± TWO PLACE DECIMAL ± THREE PLACE DECIMAL ±	CHECKED			
		INTERPRET GEOMETRIC TOLERANCING PER:	ENG APPR.			
		MATERIAL Stainless steel	MFG APPR.			
		FINISH	Q.A.			
NEXT ASSY	USED ON		COMMENTS:			
APPLICATION		DO NOT SCALE DRAWING				

**MALCO**

SIZE <b>B</b>	DWG. NO. <b>CCH</b>	REV <b>0</b>
SCALE: 1:2		WEIGHT:
		SHEET 1 OF 1

4

3

2

1

B

B

A

A