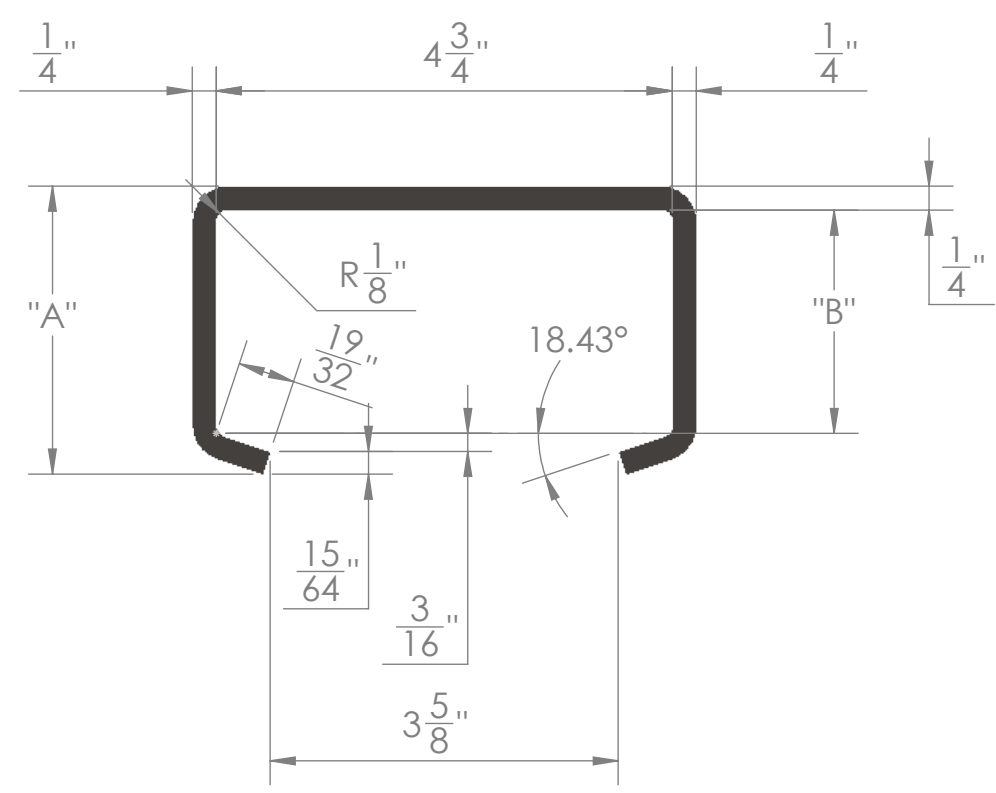
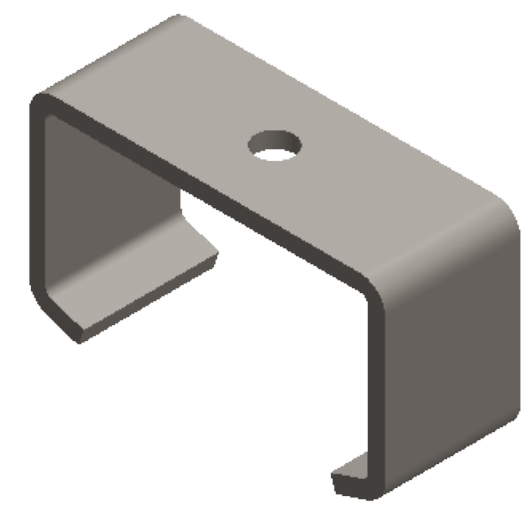
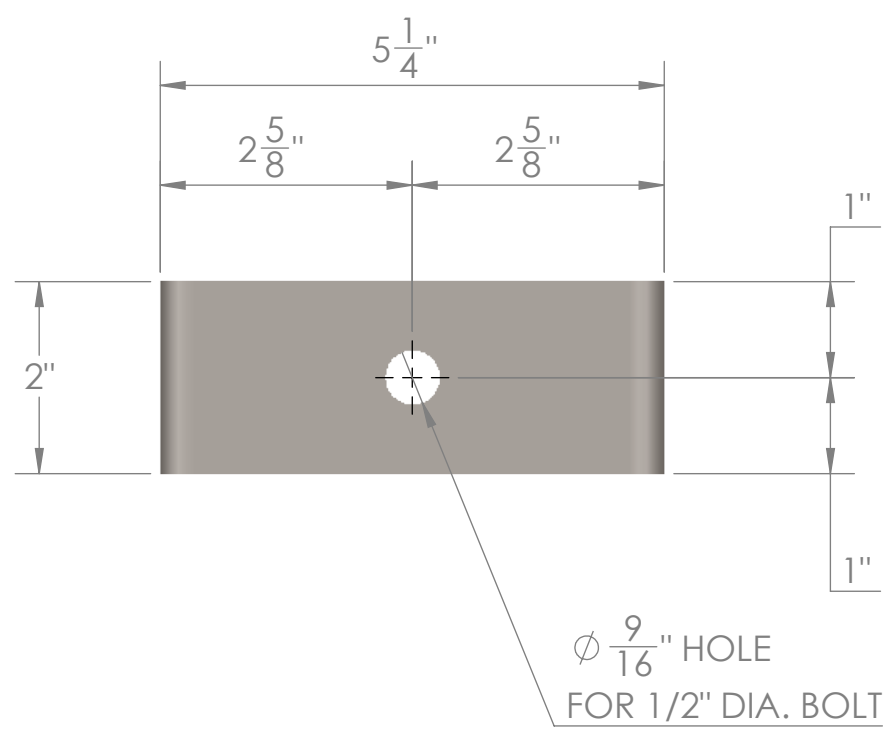


4

3


2

1



ANCHOR CLIP	"A"	"B"
CC-0.5	2 1/2"	1 53/64"
CC-1	3"	2 21/64"
CC-1.5	3 1/2"	2 53/64"

PROPRIETARY AND CONFIDENTIAL
THE INFORMATION CONTAINED IN THIS DRAWING IS THE SOLE PROPERTY OF MALCO. ANY REPRODUCTION IN PART OR AS A WHOLE WITHOUT THE WRITTEN PERMISSION OF MALCO IS PROHIBITED.

		UNLESS OTHERWISE SPECIFIED:		NAME	DATE					
		DIMENSIONS ARE IN INCHES		DRAWN	MW	1/22/26				
		TOLERANCES:		CHECKED			TITLE:			
		FRACTIONAL ±		ENG APPR.						
		ANGULAR: MACH ± BEND ±		MFG APPR.						
		TWO PLACE DECIMAL ±		Q.A.			SIZE	DWG. NO.	REV	
		THREE PLACE DECIMAL ±		COMMENTS:			B	CC	0	
		INTERPRET GEOMETRIC TOLERANCING PER:						SCALE: 1:2	WEIGHT:	SHEET 1 OF 1
		MATERIAL								
		Stainless steel								
		FINISH								
NEXT ASSY	USED ON									
APPLICATION		DO NOT SCALE DRAWING								

4

3

2

1

B

B

A

A