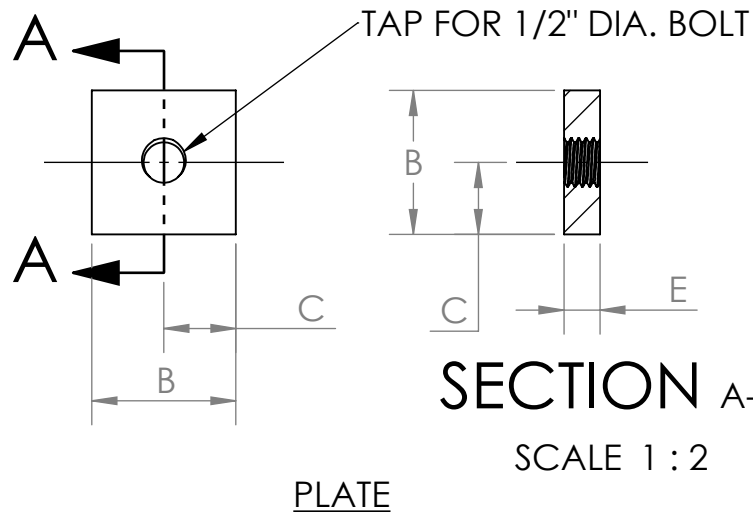
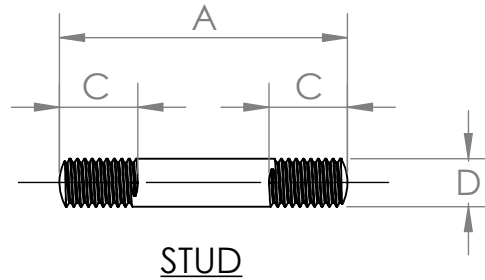


2

1

A	B	C	D	E
PER CUSTOMER	1 1/2	3/4	1/2	3/8



B

B

A

A

		UNLESS OTHERWISE SPECIFIED:	NAME	DATE
		DIMENSIONS ARE IN INCHES	DRAWN	MW
		TOLERANCES:	CHECKED	1/7/26
		FRACTIONAL ±	ENG APPR.	
		ANGULAR: MACH ± BEND ±	MFG APPR.	
		TWO PLACE DECIMAL ±	Q.A.	
		THREE PLACE DECIMAL ±	COMMENTS:	
		INTERPRET GEOMETRIC TOLERANCING PER:		
		MATERIAL		
		Stainless steel		
		FINISH		
	NEXT ASSY	USED ON		
		APPLICATION		
		DO NOT SCALE DRAWING		

TITLE:



SIZE	DWG. NO.	REV
<b>A</b>	AS-353	0
SCALE: 1:1	WEIGHT:	SHEET 1 OF 1

**PROPRIETARY AND CONFIDENTIAL**  
THE INFORMATION CONTAINED IN THIS DRAWING IS THE SOLE PROPERTY OF MALCO. ANY REPRODUCTION IN PART OR AS A WHOLE WITHOUT THE WRITTEN PERMISSION OF MALCO IS PROHIBITED.

2

1