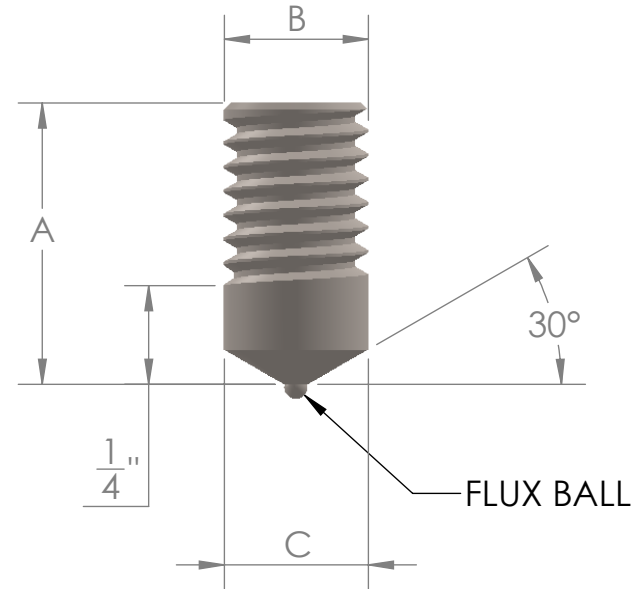


2

1

NO.	A	B	C	FERRULE PART NO.
-1	3/4	1/4-20	1/4	F-250
-2	7/8		1/4	
-3	1		1/4	
-4	3/4	5/16-18	5/16	F-312
-5	7/8		5/16	
-6	1		5/16	
-7	1 1/8	3/8-16	5/16	F-375
-8	3/4		3/8	
-9	7/8		3/8	
-10	1		3/8	
-11	1 1/8		3/8	
-12	1 1/4		3/8	
-13	1 3/4		3/8	F-500
-14	1	1/2-13	1/2	
-15	1 1/8		1/2	
-16	1 1/4		1/2	
-17	1 1/2		1/2	



LENGTHS NOT LISTED ABOVE MAY BE OBTAINED BY SPECIFYING IN ORDER

A

A

PROPRIETARY AND CONFIDENTIAL
 THE INFORMATION CONTAINED IN THIS DRAWING IS THE SOLE PROPERTY OF MALCO. ANY REPRODUCTION IN PART OR AS A WHOLE WITHOUT THE WRITTEN PERMISSION OF MALCO IS PROHIBITED.

		UNLESS OTHERWISE SPECIFIED:	NAME	DATE
		DIMENSIONS ARE IN INCHES	DRAWN	MW
		TOLERANCES:	CHECKED	1/7/26
		FRACTIONAL ±	ENG APPR.	
		ANGULAR: MACH ± BEND ±	MFG APPR.	
		TWO PLACE DECIMAL ±	Q.A.	
		THREE PLACE DECIMAL ±	COMMENTS:	
		INTERPRET GEOMETRIC TOLERANCING PER:		
		MATERIAL		
		Stainless steel		
		FINISH		
NEXT ASSY	USED ON			
APPLICATION		DO NOT SCALE DRAWING		

TITLE:



SIZE	DWG. NO.	REV
A	AS-352	0
SCALE: 2:1	WEIGHT:	SHEET 1 OF 1

2

1