

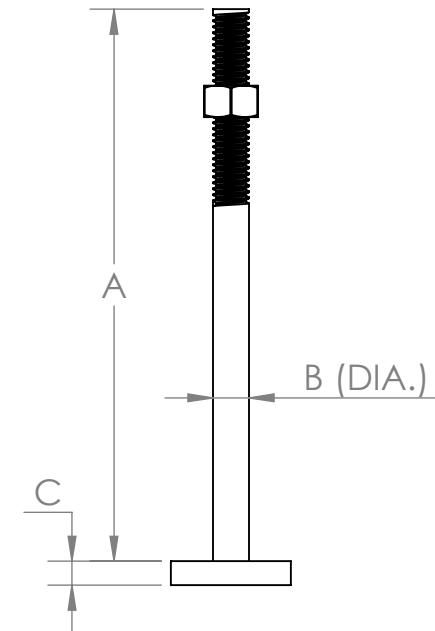
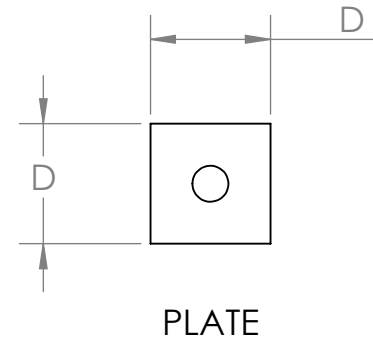
4

3

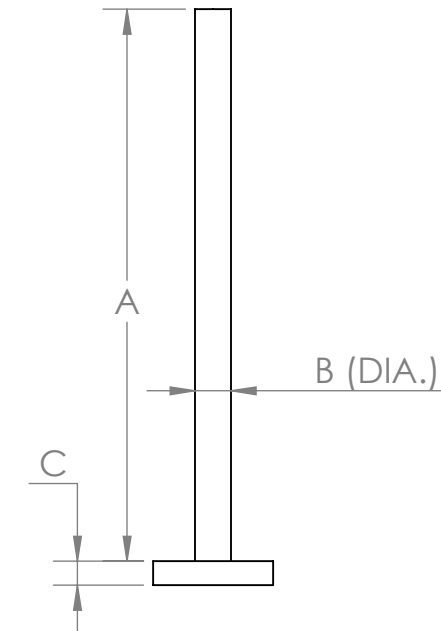
2

1

TYPE TB 8 WB ANCHOR BOLTS				
NO.	A	B	C	D
-1	2	3/8	1/4	1 1/4
-2	2 1/4	3/8	1/4	1 1/4
-3	2 1/2	3/8	1/4	1 1/4
-4	2 3/4	3/8	1/4	1 1/4
-5	3	3/8	1/4	1 1/4
-6	3 1/4	3/8	1/4	1 1/4
-7	3 1/2	3/8	1/4	1 1/4
-8	3 3/4	3/8	1/4	1 1/4
-9	4	3/8	1/4	1 1/4
-10	4 1/4	3/8	1/4	1 1/4
-11	4 1/2	3/8	1/4	1 1/4
-12	4 3/4	3/8	1/4	1 1/4
-13	5	3/8	1/4	1 1/4
-14	5 1/4	3/8	1/4	1 1/4
-15	5 1/2	3/8	1/4	1 1/4
-16	5 3/4	3/8	1/4	1 1/4
-17	6	3/8	1/4	1 1/4
-18	6 1/4	3/8	1/4	1 1/4
-19	6 1/2	3/8	1/4	1 1/4
-20	6 3/4	3/8	1/4	1 1/4
-21	7	3/8	1/4	1 1/4
-22	7 1/4	3/8	1/4	1 1/4
-23	7 1/2	3/8	1/4	1 1/4
-24	7 3/4	3/8	1/4	1 1/4
-25	8	3/8	1/4	1 1/4
-26	8 1/4	3/8	1/4	1 1/4
-27	8 1/2	3/8	1/4	1 1/4
-28	8 3/4	3/8	1/4	1 1/4
-29	9	3/8	1/4	1 1/4
-30	9 1/4	3/8	1/4	1 1/4
-31	9 1/2	3/8	1/4	1 1/4
-32	9 3/4	3/8	1/4	1 1/4
-33	10	3/8	1/4	1 1/4




TB Anchor: (Through Type)
(Carbon Steel not included)



WB Anchor:
(Conventional Weld)

Note: The type of steel must be specified. The standard material is 310 SS, but they can be supplied in other materials where required.

PROPRIETARY AND CONFIDENTIAL
THE INFORMATION CONTAINED IN THIS DRAWING IS THE SOLE PROPERTY OF MALCO. ANY REPRODUCTION IN PART OR AS A WHOLE WITHOUT THE WRITTEN PERMISSION OF MALCO IS PROHIBITED.

		UNLESS OTHERWISE SPECIFIED:		NAME	DATE
		DIMENSIONS ARE IN INCHES TOLERANCES: FRACTIONAL: ± ANGULAR: MACH ± BEND ± TWO PLACE DECIMAL ± THREE PLACE DECIMAL ±		DRAWN MW	10/18/25
		INTERPRET GEOMETRIC TOLERANCING PER:		CHECKED	
		MATERIAL Stainless steel		ENG APPR.	
		FINISH		MFG APPR.	
NEXT ASSY	USED ON	APPLICATION		Q.A.	
		DO NOT SCALE DRAWING		COMMENTS:	
				TITLE:	
					
SIZE B	DWG. NO. AS-270			REV 0	
SCALE: 1:2		WEIGHT:		SHEET 1 OF 1	

4

3

2

1

B

A