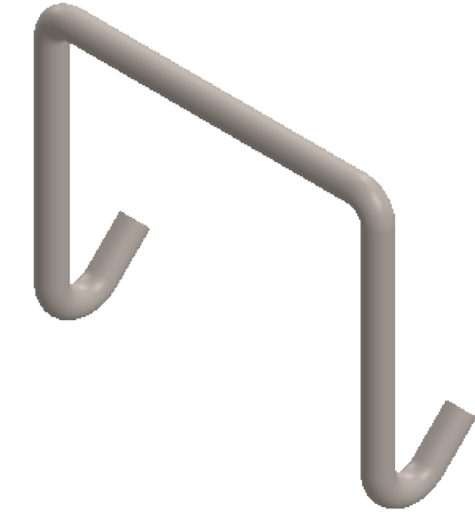
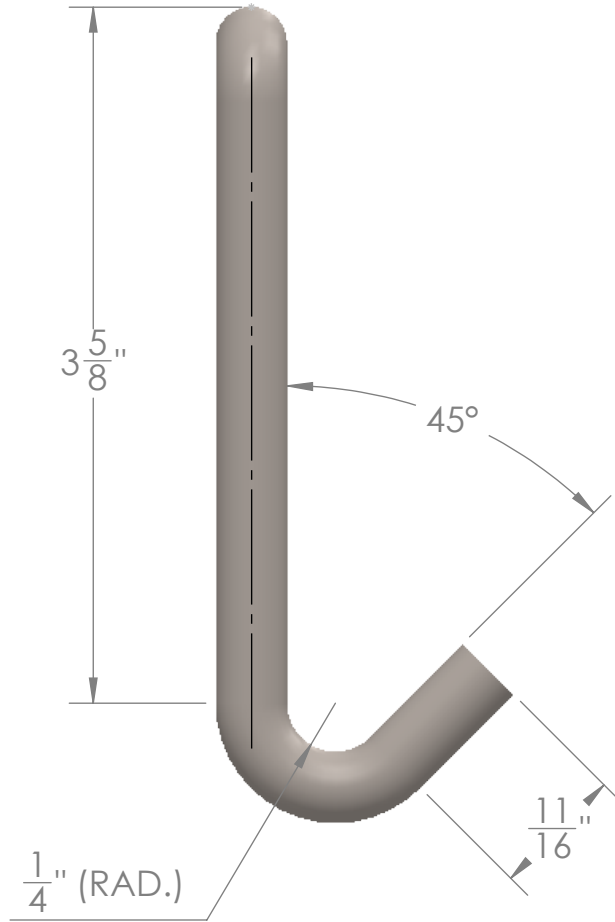
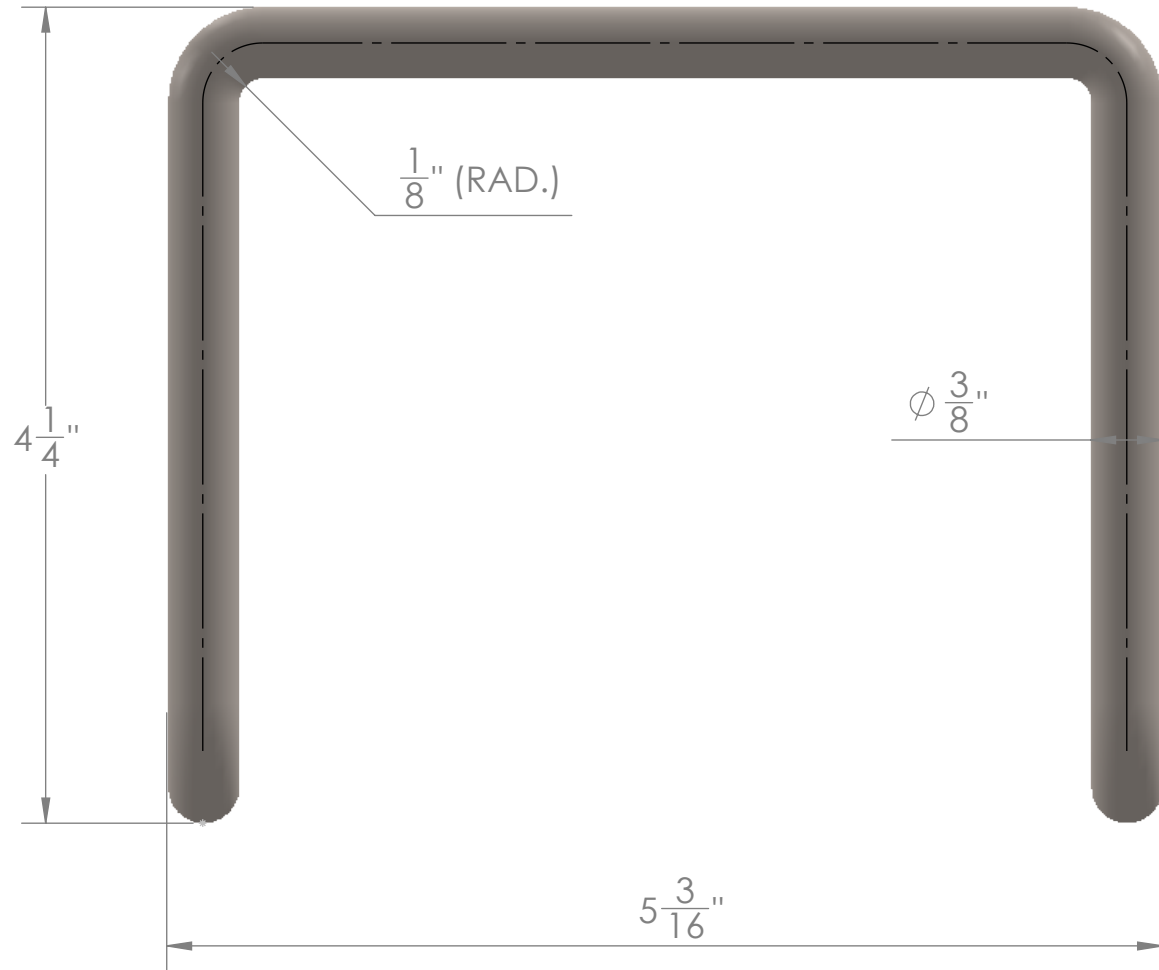


NO.	MATERIAL TYPE	TEMP USE LIMIT (°F)	COLOR CODE	SPECIAL CONDITIONS
RH-304	304 SS	1500°	GREEN	-
RH-316	316 SS	1500°	RED	SULFUR ATMOSPHERE
RH-CS	CS	900°	-	-



PROPRIETARY AND CONFIDENTIAL
 THE INFORMATION CONTAINED IN THIS DRAWING IS THE SOLE PROPERTY OF MALCO. ANY REPRODUCTION IN PART OR AS A WHOLE WITHOUT THE WRITTEN PERMISSION OF MALCO IS PROHIBITED.

UNLESS OTHERWISE SPECIFIED:		NAME	DATE
DIMENSIONS ARE IN INCHES		DRAWN	MW 12/26/25
TOLERANCES:		CHECKED	
FRACTIONAL: \pm		ENG APPR.	
ANGULAR: MACH \pm BEND \pm		MFG APPR.	
TWO PLACE DECIMAL \pm		Q.A.	
THREE PLACE DECIMAL \pm		COMMENTS:	
INTERPRET GEOMETRIC TOLERANCING PER:			
MATERIAL See table			
NEXT ASSY	USED ON		
APPLICATION			
DO NOT SCALE DRAWING			

TITLE:		
SIZE	DWG. NO.	REV
B	AS-269	0
SCALE: 1:1	WEIGHT:	SHEET 1 OF 1