

4

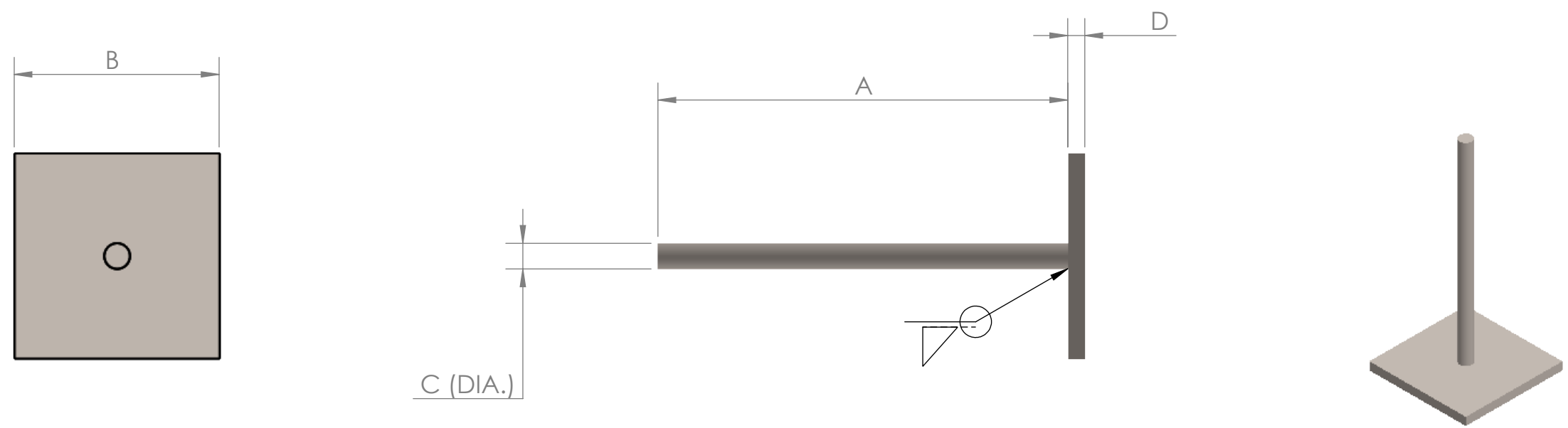
3

2

1

B

B




NO.	A	B	C	D
-1	1	1 1/2	3/16	1/8
-2	2	1 1/2	3/16	1/8
-3	3	1 1/2	3/16	1/8
-4	4	1 1/2	3/16	1/8
-5	5	1 1/2	3/16	1/8
-6	6	1 1/2	3/16	1/8

A

A

PROPRIETARY AND CONFIDENTIAL
 THE INFORMATION CONTAINED IN THIS DRAWING IS THE SOLE PROPERTY OF MALCO. ANY REPRODUCTION IN PART OR AS A WHOLE WITHOUT THE WRITTEN PERMISSION OF MALCO IS PROHIBITED.

		UNLESS OTHERWISE SPECIFIED:		NAME	DATE	TITLE:  SIZE B DWG. NO. AS-264 REV 0 SCALE: 1:1 WEIGHT: SHEET 1 OF 1
		DIMENSIONS ARE IN INCHES		DRAWN	MW 12/26/25	
		TOLERANCES: FRACTIONAL ± ANGULAR: MACH ± BEND ± TWO PLACE DECIMAL ± THREE PLACE DECIMAL ±		CHECKED		
		INTERPRET GEOMETRIC TOLERANCING PER:		ENG APPR.		
		MATERIAL Stainless steel		MFG APPR.		
NEXT ASSY	USED ON	FINISH		Q.A.		
APPLICATION		DO NOT SCALE DRAWING		COMMENTS:		

4

3

2

1