

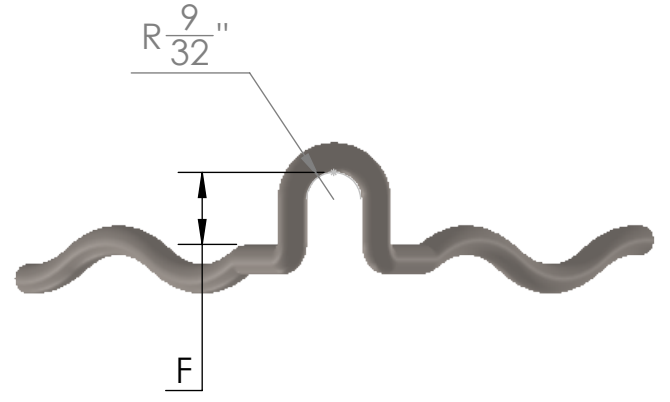
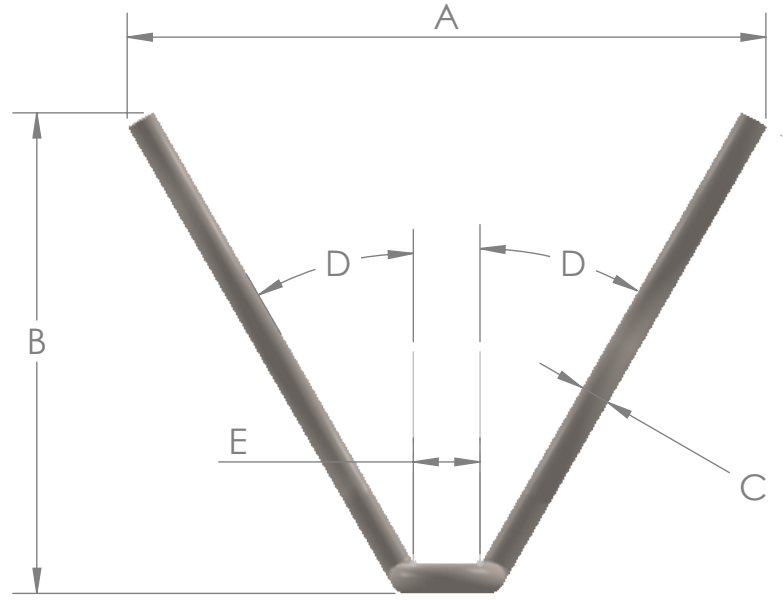
4

3


2

1

NO.	A	B	C	D	E	F
-1	3 3/8	3	5/16	30°	9/16	3/4
-2	4 1/2	4	5/16	30°	9/16	3/4
-3	5 11/16	5	5/16	30°	9/16	3/4
-4	6 13/16	6	5/16	30°	9/16	3/4
-5	8	7	5/16	30°	9/16	3/4



PROPRIETARY AND CONFIDENTIAL
 THE INFORMATION CONTAINED IN THIS DRAWING IS THE SOLE PROPERTY OF MALCO. ANY REPRODUCTION IN PART OR AS A WHOLE WITHOUT THE WRITTEN PERMISSION OF MALCO IS PROHIBITED.

		UNLESS OTHERWISE SPECIFIED:		NAME	DATE
		DIMENSIONS ARE IN INCHES		DRAWN	MW 12/5/25
		TOLERANCES:		CHECKED	
		FRACTIONAL ±		ENG APPR.	
		ANGULAR: MACH ± BEND ±		MFG APPR.	
		TWO PLACE DECIMAL ±		Q.A.	
		THREE PLACE DECIMAL ±		COMMENTS:	
		INTERPRET GEOMETRIC TOLERANCING PER:			
		MATERIAL			
		Stainless steel			
		FINISH			
NEXT ASSY	USED ON				
APPLICATION		DO NOT SCALE DRAWING			
		TITLE:			
SIZE	DWG. NO.	REV			
B	AR-747	0			
SCALE: 1:2		WEIGHT:	SHEET 1 OF 1		

4

3

2

1

B

B

A

A