

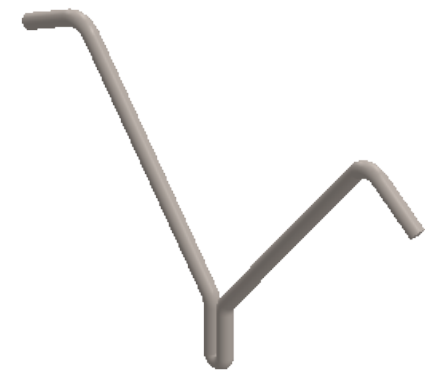
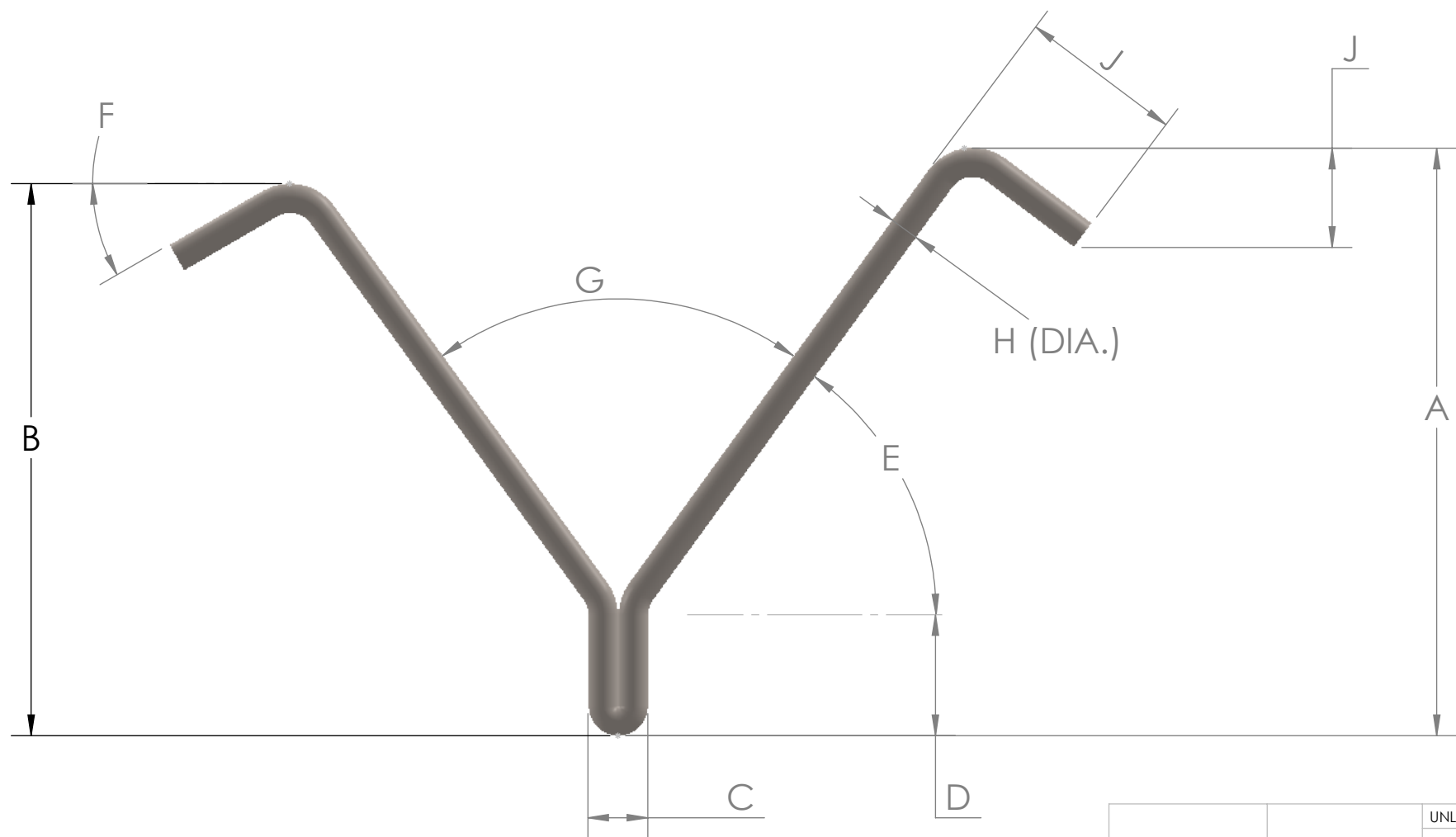
4

3


2

1

NO.	A	B	C	D	E	F	G	H	I	J
-1	1 5/8	1 3/8	3/8	3/4	54°	30°	72°	3/16	9/16	15/16
-2	2 1/8	1 7/8	3/8	3/4	54°	30°	72°	3/16	9/16	15/16
-3	2 5/8	2 3/8	3/8	3/4	54°	30°	72°	3/16	9/16	15/16
-4	3 1/8	2 7/8	3/8	3/4	54°	30°	72°	3/16	9/16	15/16
-5	3 5/8	3 3/8	3/8	3/4	54°	30°	72°	3/16	9/16	15/16
-6	4 1/8	3 7/8	3/8	3/4	54°	30°	72°	3/16	9/16	15/16
-7	4 5/8	4 3/8	3/8	3/4	54°	30°	72°	3/16	9/16	15/16
-8	5 1/8	4 7/8	3/8	3/4	54°	30°	72°	3/16	9/16	15/16
-9	7 1/8	6 7/8	3/8	3/4	54°	30°	72°	3/16	9/16	15/16
-10	9 1/8	8 7/8	3/8	3/4	54°	30°	72°	3/16	9/16	15/16



PROPRIETARY AND CONFIDENTIAL
 THE INFORMATION CONTAINED IN THIS DRAWING IS THE SOLE PROPERTY OF MALCO. ANY REPRODUCTION IN PART OR AS A WHOLE WITHOUT THE WRITTEN PERMISSION OF MALCO IS PROHIBITED.

		UNLESS OTHERWISE SPECIFIED:		NAME	DATE
		DIMENSIONS ARE IN INCHES		DRAWN	MW 11/10/25
		TOLERANCES:		CHECKED	
		FRACTIONAL ±		ENG APPR.	
		ANGULAR: MACH ± BEND ±		MFG APPR.	
		TWO PLACE DECIMAL ±		Q.A.	
		THREE PLACE DECIMAL ±		COMMENTS:	
		INTERPRET GEOMETRIC TOLERANCING PER:			
		MATERIAL			
		Stainless steel			
		FINISH			
NEXT ASSY	USED ON				
APPLICATION		DO NOT SCALE DRAWING			
		TITLE:			
SIZE	DWG. NO.	REV			
B	AR-741	0			
SCALE: 1:1		WEIGHT:		SHEET 1 OF 1	

4

3

2

1