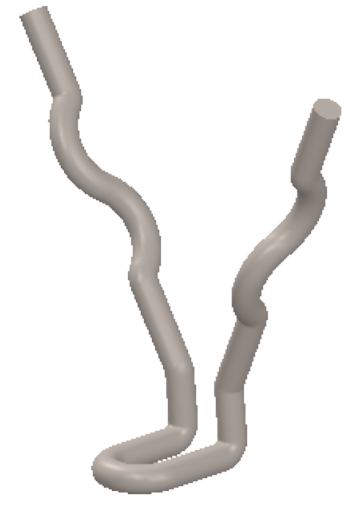
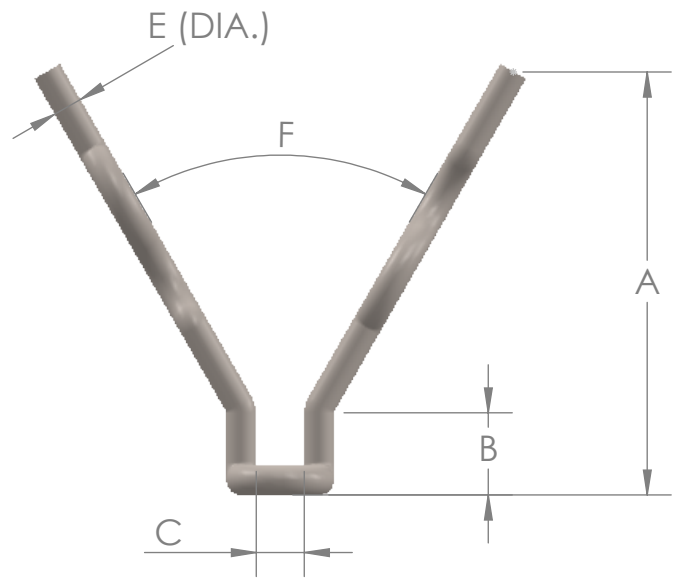
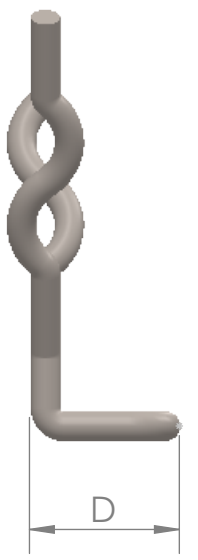


4

3

2

1



B


B

A

A

| NO. | A     | B     | C    | D     | E    | F   |
|-----|-------|-------|------|-------|------|-----|
| -1  | 5 1/8 | 1     | .406 | 1 1/4 | 1/4  | 60° |
| -2  | 7 1/8 | 3 1/8 | .406 | 1 1/4 | 1/4  | 60° |
| -3  | 4 1/4 | 3/4   | .406 | 1 1/4 | 5/16 | 60° |
| -4  | 5     | 1     | .406 | 1 1/4 | 5/16 | 60° |
| -5  | 6     | 2     | .406 | 1 1/4 | 5/16 | 60° |
| -6  | 6     | 1     | .406 | 1 1/4 | 5/16 | 60° |
| -7  | 7     | 3     | .406 | 1 1/4 | 5/16 | 60° |
| -8  | 8     | 3     | .406 | 1 1/4 | 5/16 | 60° |
| -9  | 8     | 4     | .406 | 1 1/4 | 5/16 | 60° |
| -10 | 9     | 4     | .406 | 1 1/4 | 5/16 | 60° |
| -11 | 10    | 5     | .406 | 1 1/4 | 5/16 | 60° |
| -12 | 10    | 6     | .406 | 1 1/4 | 5/16 | 60° |
| -13 | 11    | 6     | .406 | 1 1/4 | 5/16 | 60° |
| -14 | 12    | 7     | .406 | 1 1/4 | 5/16 | 60° |

**PROPRIETARY AND CONFIDENTIAL**  
 THE INFORMATION CONTAINED IN THIS DRAWING IS THE SOLE PROPERTY OF MALCO. ANY REPRODUCTION IN PART OR AS A WHOLE WITHOUT THE WRITTEN PERMISSION OF MALCO IS PROHIBITED.

|           |         |                                      |  |                      |      |            |   |              |
|-----------|---------|--------------------------------------|--|----------------------|------|------------|---|--------------|
|           |         | UNLESS OTHERWISE SPECIFIED:          |  | NAME                 | DATE |            |   |              |
|           |         | DIMENSIONS ARE IN INCHES             |  | DRAWN                | MW   | 10/18/25   | TITLE:  |              |
|           |         | TOLERANCES:                          |  | CHECKED              |      |            |   |              |
|           |         | FRACTIONAL ±                         |  | ENG APPR.            |      |            |   |              |
|           |         | ANGULAR: MACH ± BEND ±               |  | MFG APPR.            |      |            |   |              |
|           |         | TWO PLACE DECIMAL ±                  |  | Q.A.                 |      |            |  |              |
|           |         | THREE PLACE DECIMAL ±                |  | COMMENTS:            |      |            |   |              |
|           |         | INTERPRET GEOMETRIC TOLERANCING PER: |  |                      |      | SIZE       | DWG. NO.  | REV          |
|           |         | MATERIAL                             |  |                      |      | <b>B</b>   | <b>AR-740</b>   | <b>0</b>     |
|           |         | Stainless steel                      |  |                      |      | SCALE: 1:2 |   | WEIGHT:      |
|           |         | FINISH                               |  |                      |      |            |   | SHEET 1 OF 1 |
| NEXT ASSY | USED ON | APPLICATION                          |  | DO NOT SCALE DRAWING |      |            |   |              |

4

3

2

1