

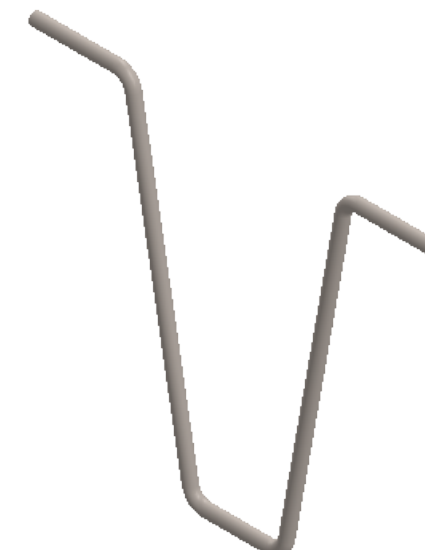
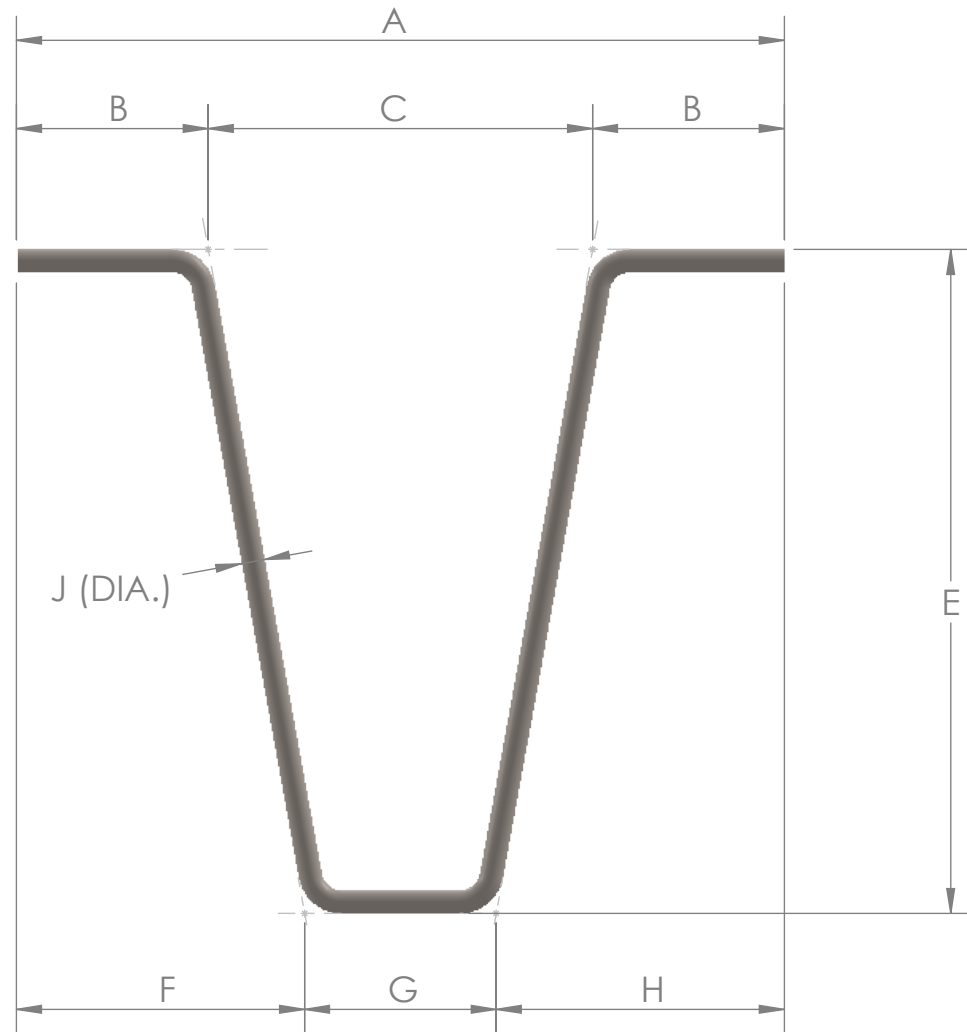
4

3


2

1

NO.	A	B	C	D	E	F	G	H	J
-1	6	1 1/2	3	1 1/2	2 1/4	2 1/4	1 1/2	2 1/4	3/16
-2	6	1 1/2	3	1 1/2	3 1/4	2 1/4	1 1/2	2 1/4	3/16
-3	6	1 1/2	3	1 1/2	3 1/2	2 1/4	1 1/2	2 1/4	3/16
-4	6	1 1/2	3	1 1/2	5	2 1/4	1 1/2	2 1/4	3/16
-5	6	1 1/2	3	1 1/2	6 1/4	2 1/4	1 1/2	2 1/4	3/16
-6	6	1 1/2	3	1 1/2	8 1/2	2 1/4	1 1/2	2 1/4	3/16
-7	7	1 3/4	3 1/2	1 3/4	3 1/2	3 1/2	1 1/2	3 1/2	3/16



PROPRIETARY AND CONFIDENTIAL
 THE INFORMATION CONTAINED IN THIS DRAWING IS THE SOLE PROPERTY OF MALCO. ANY REPRODUCTION IN PART OR AS A WHOLE WITHOUT THE WRITTEN PERMISSION OF MALCO IS PROHIBITED.

		UNLESS OTHERWISE SPECIFIED:		NAME	DATE
		DIMENSIONS ARE IN INCHES		DRAWN	MW 11/1/25
		TOLERANCES:		CHECKED	
		FRACTIONAL ±		ENG APPR.	
		ANGULAR: MACH ± BEND ±		MFG APPR.	
		TWO PLACE DECIMAL ±		Q.A.	
		THREE PLACE DECIMAL ±		COMMENTS:	
		INTERPRET GEOMETRIC TOLERANCING PER:			
		MATERIAL			
		Stainless steel			
		FINISH			
NEXT ASSY	USED ON				
APPLICATION		DO NOT SCALE DRAWING			
			TITLE:		
					
SIZE	DWG. NO.	REV			
B	AR-735	0			
SCALE: 1:1		WEIGHT:		SHEET 1 OF 1	

4

3

2

1

B

B

A

A