

4

3

2

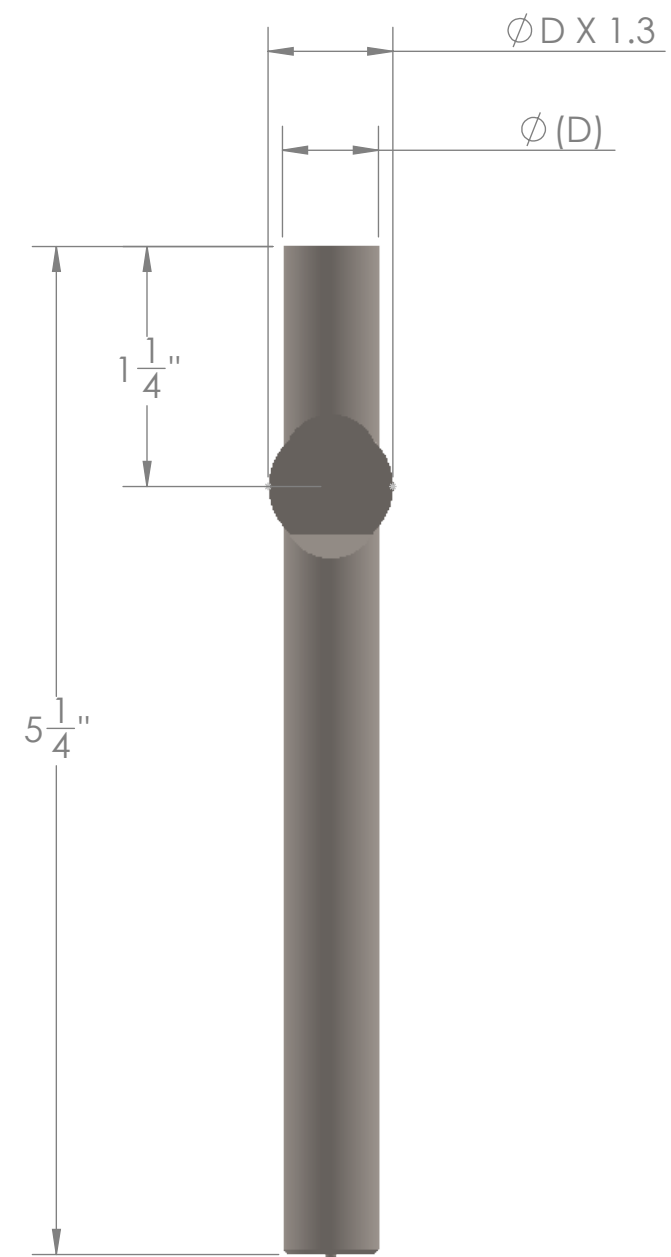
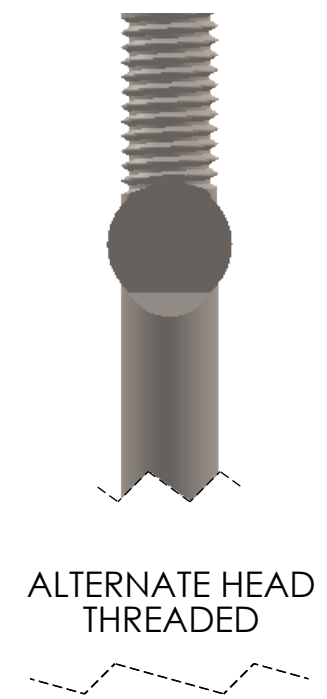
1

B

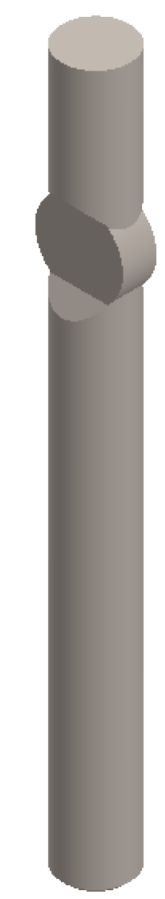
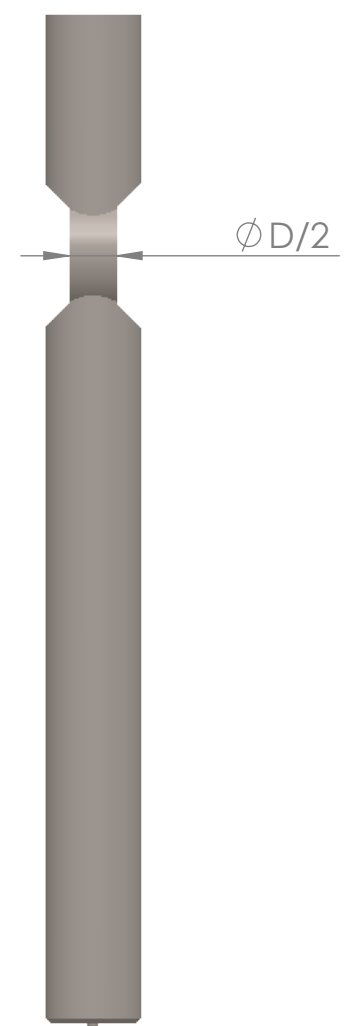
B

A


A



FLUX BALL  
OPTIONAL



**PROPRIETARY AND CONFIDENTIAL**  
THE INFORMATION CONTAINED IN THIS  
DRAWING IS THE SOLE PROPERTY OF  
MALCO. ANY REPRODUCTION IN PART  
OR AS A WHOLE WITHOUT THE WRITTEN  
PERMISSION OF MALCO IS PROHIBITED.

		UNLESS OTHERWISE SPECIFIED:		NAME	DATE		
		DIMENSIONS ARE IN INCHES		DRAWN	MW	1/30/26	TITLE:
		TOLERANCES:		CHECKED			
		FRACTIONAL $\pm$		ENG APPR.			
		ANGULAR: MACH $\pm$ BEND $\pm$		MFG APPR.			
		TWO PLACE DECIMAL $\pm$		Q.A.			
		THREE PLACE DECIMAL $\pm$		COMMENTS:			
		INTERPRET GEOMETRIC TOLERANCING PER:					SIZE
		MATERIAL					DWG. NO.
		Stainless steel					REV
		FINISH					0
NEXT ASSY	USED ON						SCALE: 1:1
APPLICATION		DO NOT SCALE DRAWING				WEIGHT:	SHEET 1 OF 1

4

3

2

1