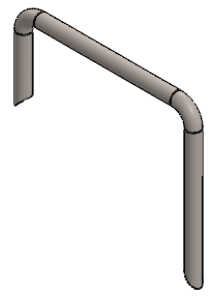
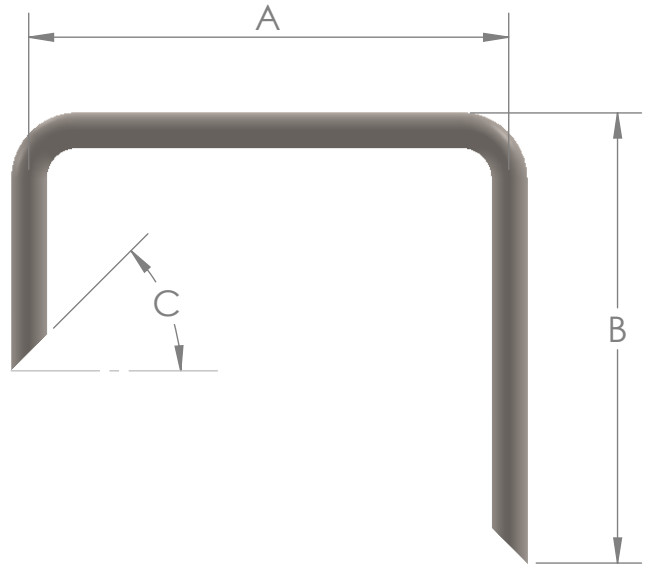


2

1

B


B



NO.	A	B	C	D	E
-1	3	1 1/4	45°	3/16	2 1/4
-2	4	1 1/4	45°	3/16	2 1/4
-3	5	1 1/4	45°	3/16	2 1/4
-4	5 1/2	1 1/4	45°	3/16	2 1/4

A

A

<p>PROPRIETARY AND CONFIDENTIAL THE INFORMATION CONTAINED IN THIS DRAWING IS THE SOLE PROPERTY OF MALCO. ANY REPRODUCTION IN PART OR AS A WHOLE WITHOUT THE WRITTEN PERMISSION OF MALCO IS PROHIBITED.</p>			UNLESS OTHERWISE SPECIFIED:		NAME	DATE	<p>TITLE:</p> <div style="text-align: center;">  <p>MALCO</p> </div> <p>SIZE A DWG. NO. AB-613 REV 0</p> <p>SCALE: 1:1 WEIGHT: SHEET 1 OF 1</p>
			DIMENSIONS ARE IN INCHES	DRAWN	MW	10/28/25	
			TOLERANCES:	CHECKED			
			FRACTIONAL ±	ENG APPR.			
			ANGULAR: MACH ± BEND ±	MFG APPR.			
		TWO PLACE DECIMAL ±	Q.A.				
		THREE PLACE DECIMAL ±	COMMENTS:				
		INTERPRET GEOMETRIC TOLERANCING PER:					
		MATERIAL	Stainless steel				
NEXT ASSY	USED ON	FINISH					
APPLICATION		DO NOT SCALE DRAWING					

2

1